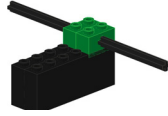


Chemical Carrier

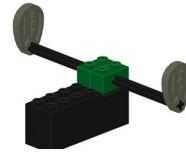
1



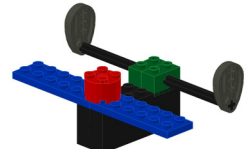
2



3

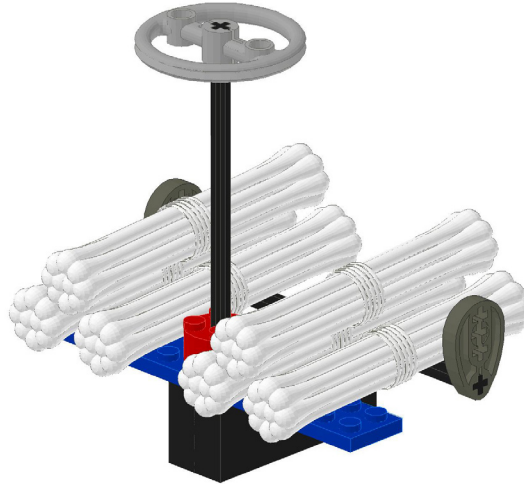


4

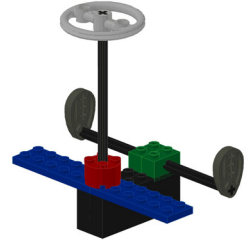


Parts List

| Step | Qty | Description |
|------|-----|-----------------------|
| 1 | 1 | Weight 2x6x2 |
| 2 | 1 | Axle 12 |
| 2 | 2 | Brick 1x2 – axle-hole |
| 3 | 2 | Cam - axle |
| 4 | 2 | Plate 2x6 |
| 4 | 1 | Brick 2x2 - Round |
| 5 | 1 | Axle 10 |
| 5 | 1 | Pulley - Large |
| 6 | 6 | Product Bundle |



5



6

