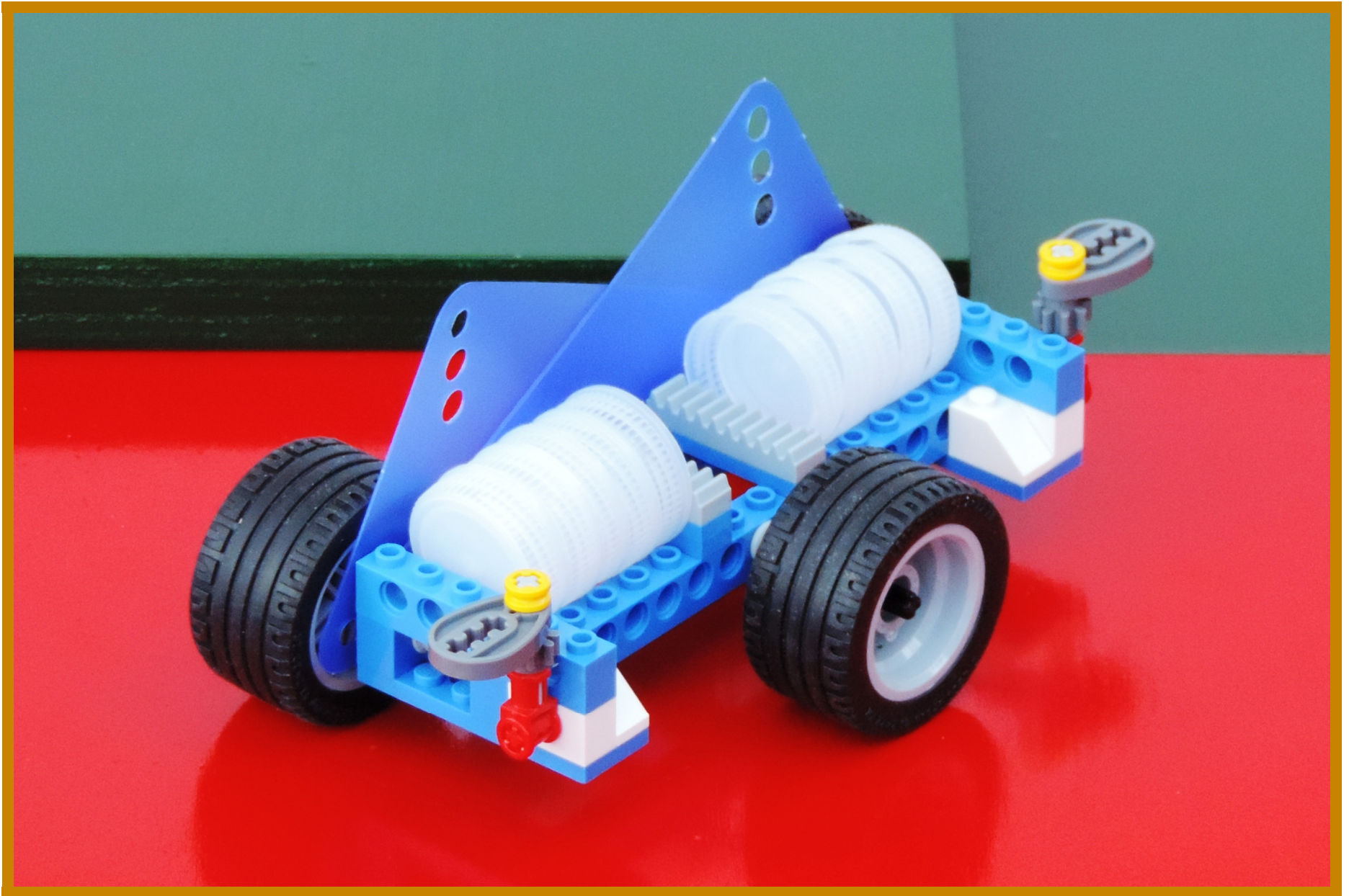
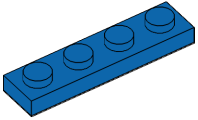
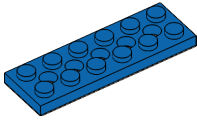
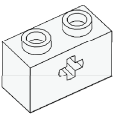
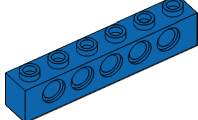

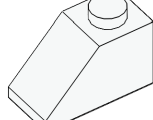

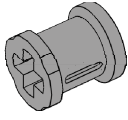
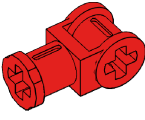

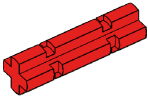
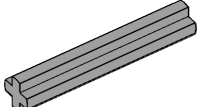


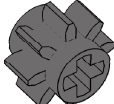
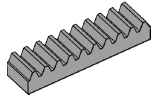
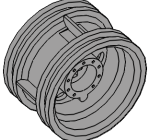

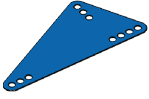
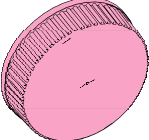


Yangtze Carrier



Yangtze Carrier

4x  Plate 1x4 Blue	2x  Plate 2x6 Holes Blue	2x  Brick 1x2 Axle Hole White	2x  Brick 1x6 Holes Blue	2x  Brick 1x16 Holes Blue	2x  Brick Slope 1x2 White	
4x  Bushing 1/2 Yellow	6x  Bushing Light Gray	2x  Connector 1x2 90 Degree Red	2x  Cam Dark Gray			
2x  Axle 2 Notched Red	2x  Axle 3 Light Gray	2x  Axle 4 Black	1x  Axle 8 Black	2x  Gear - 8 Tooth Dark Gray	2x  Gear - Rack 1x4 Light Gray	
3x  Wheel - Rim Large Light Gray	3x  Wheel - Tire Large Black		2x  Flexible Triangle Small Light Blue			10x  Pump

Yangtze Carrier

1
of 13

2x

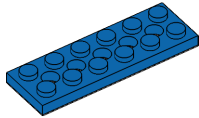
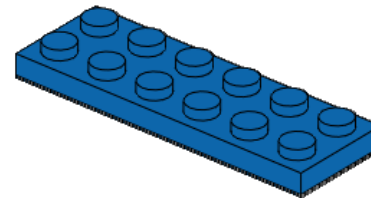
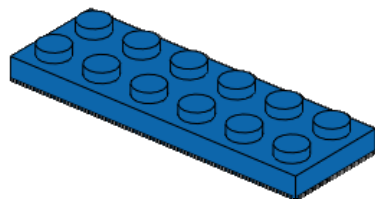


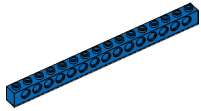
Plate 2x6
Holes
Blue



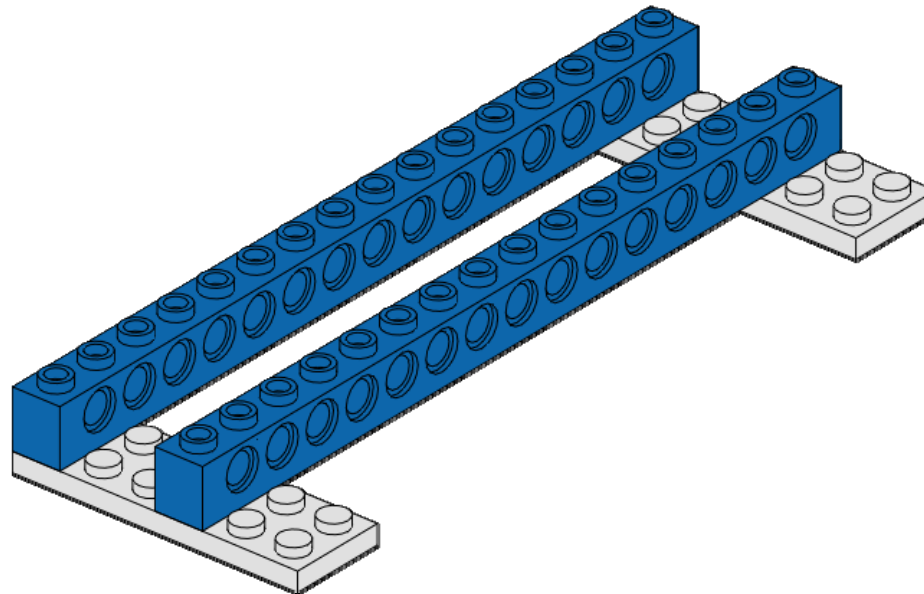
Yangtze Carrier

2
of 13

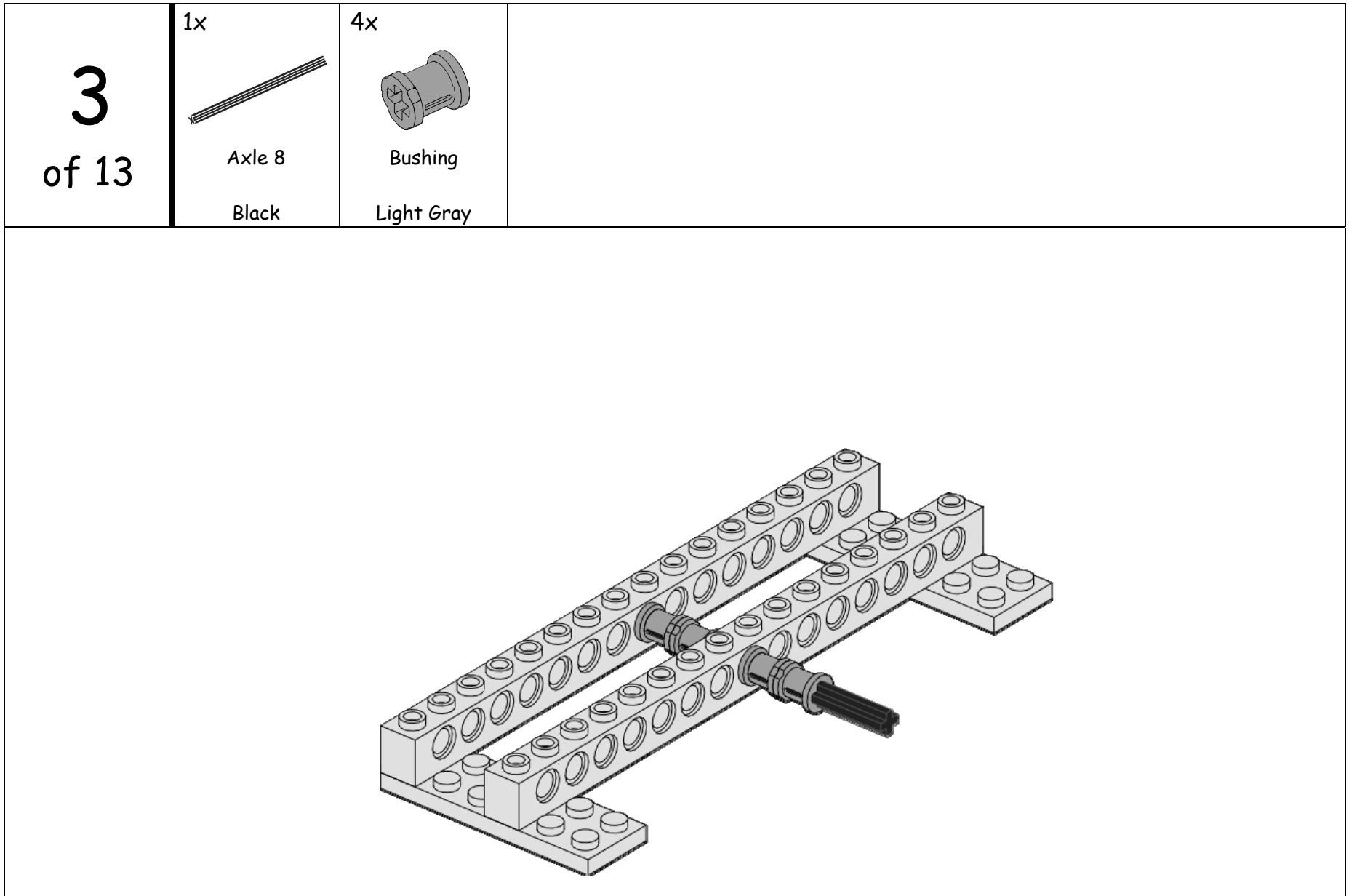
2x



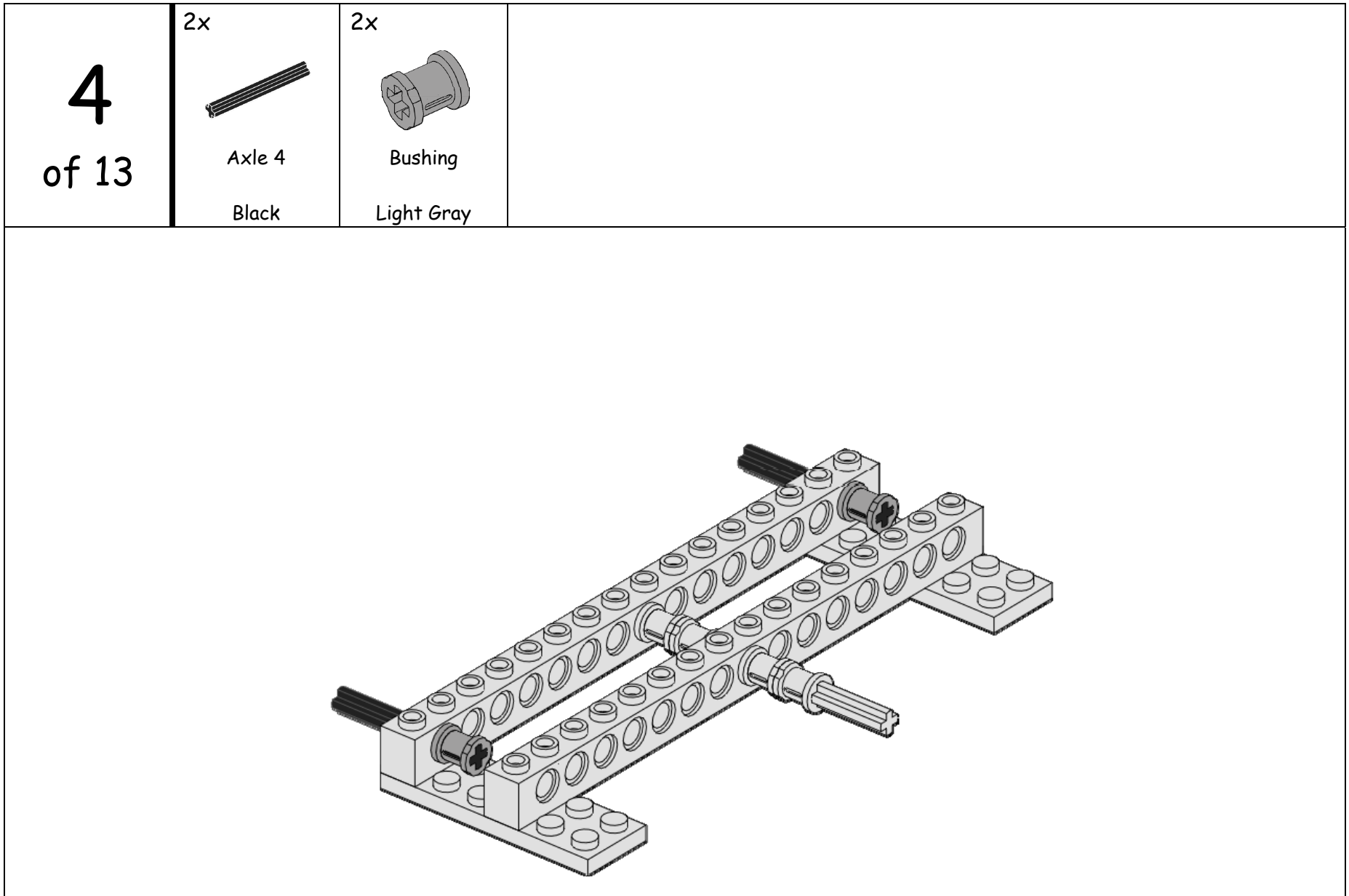
Brick 1x16
Holes
Blue



Yangtze Carrier



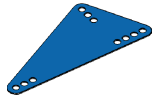
Yangtze Carrier



Yangtze Carrier

5
of 13

2x

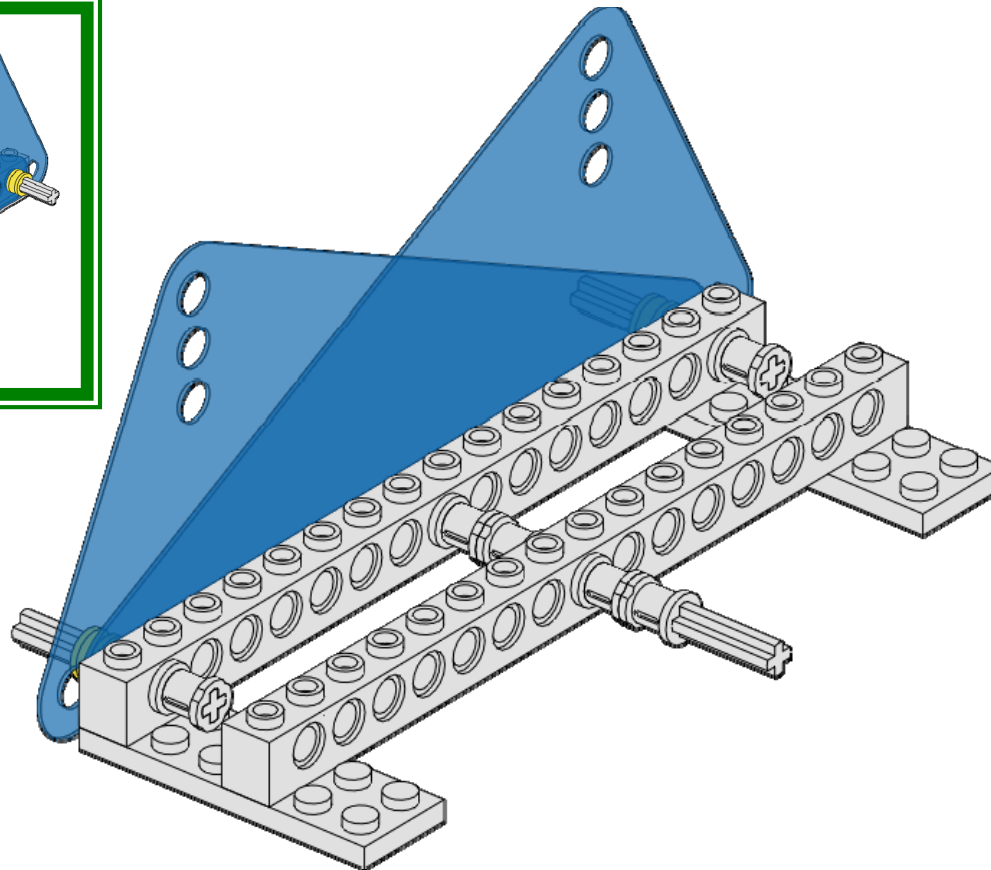
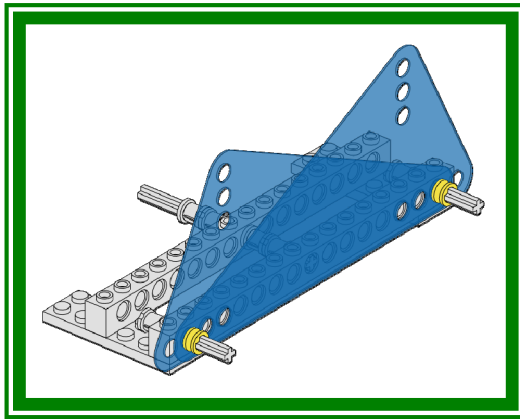


Flexible Triangle
Small
Light Blue

2x



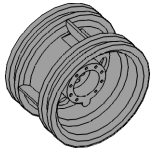
Bushing
1/2
Yellow



Yangtze Carrier

6
of 13

2x

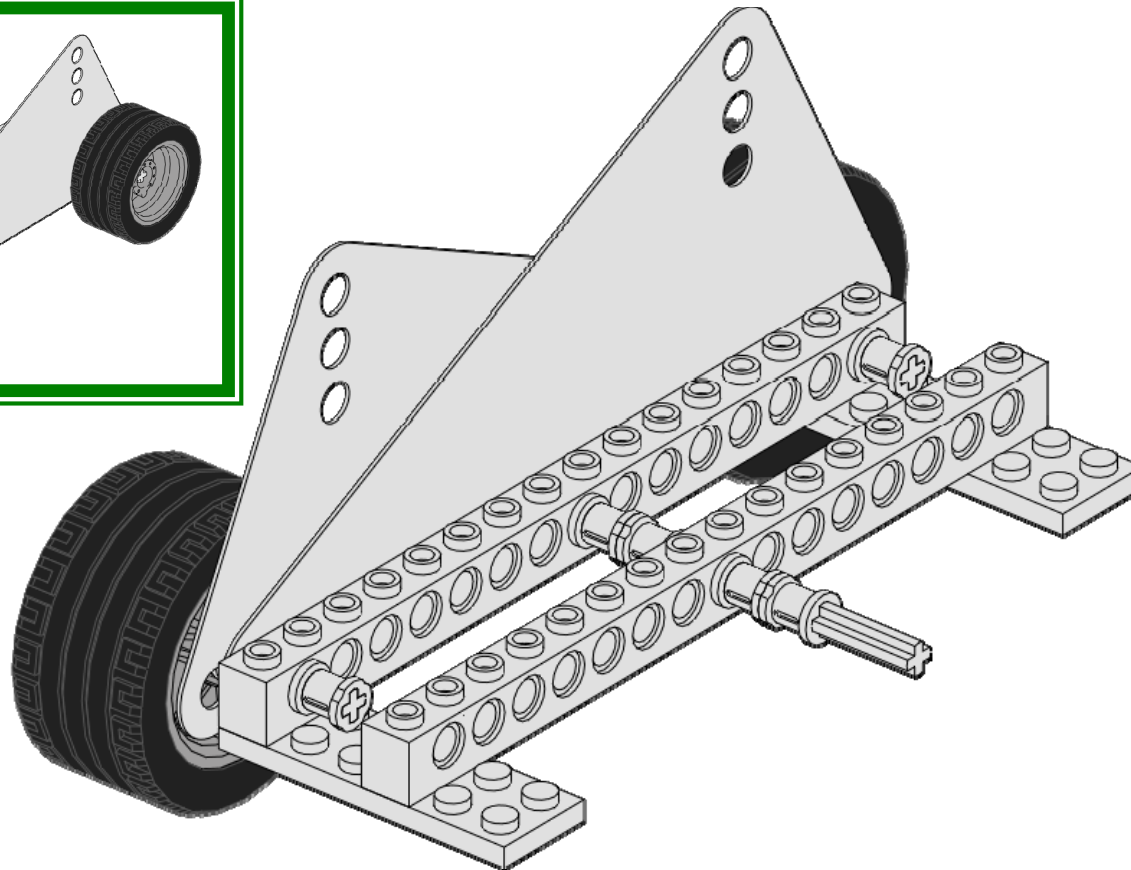
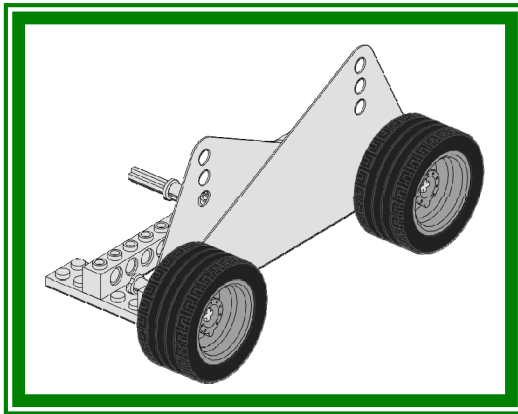


Wheel - Rim
Large
Light Gray

2x



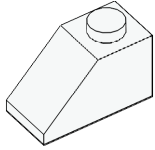
Wheel - Tire
Large
Black



Yangtze Carrier

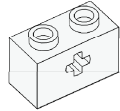
7
of 13

2x



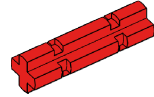
Brick
Slope 1x2
White

2x

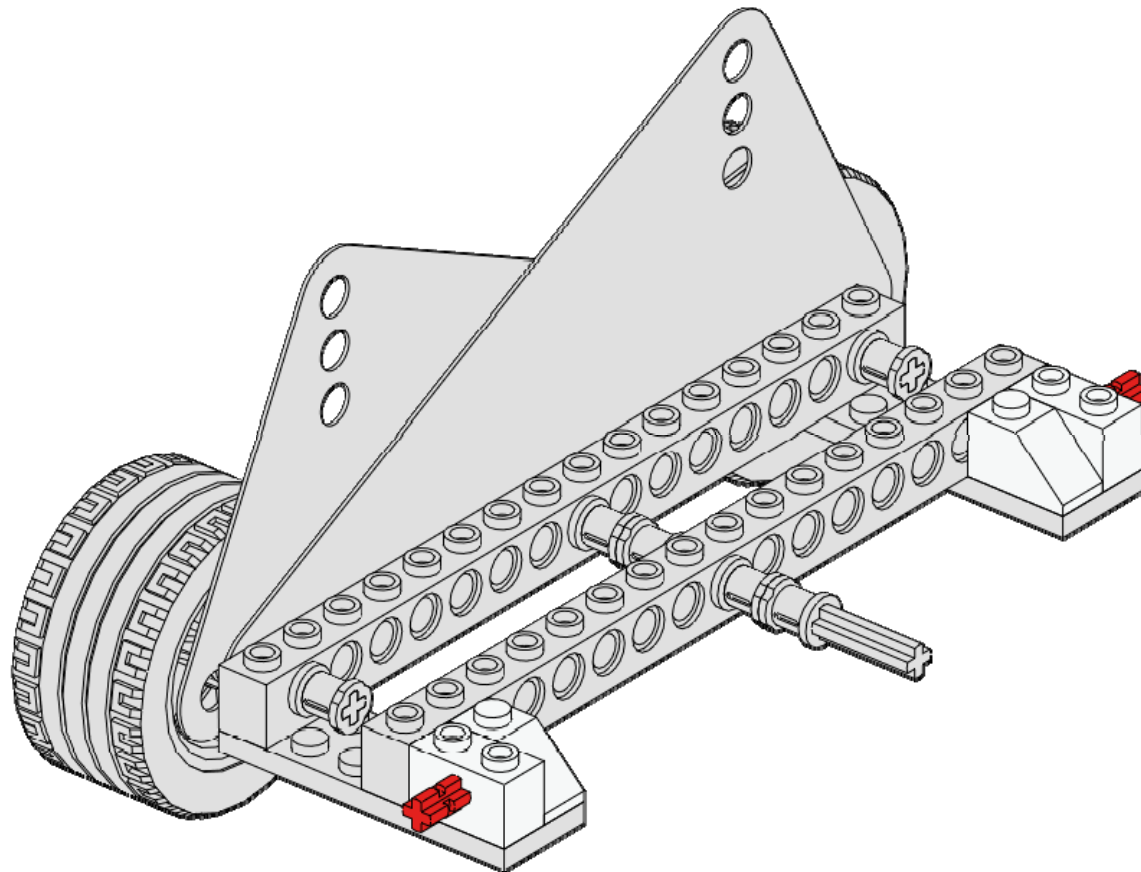


Brick 1x2
Axle Hole
White

2x



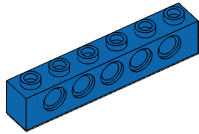
Axle 2
Notched
Red



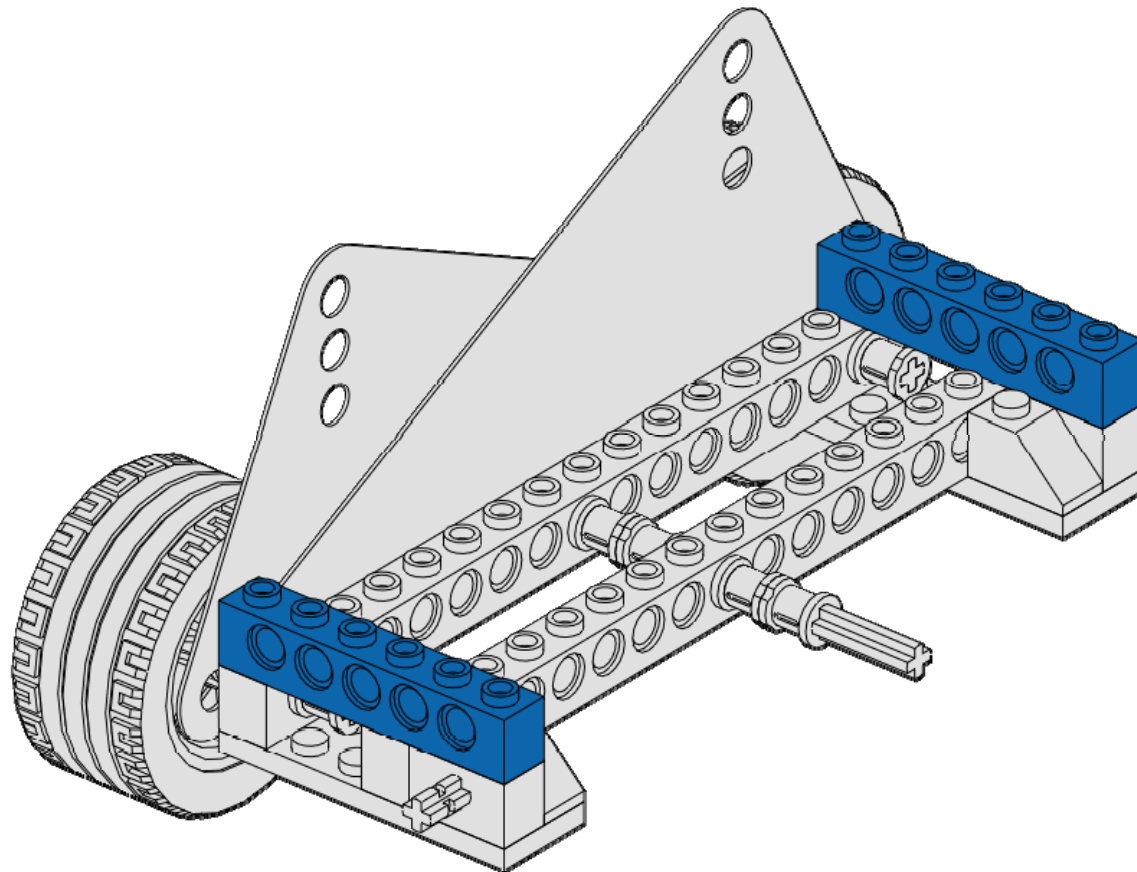
Yangtze Carrier

8
of 13

2x



Brick 1x6
Holes
Blue



Yangtze Carrier

9
of 13

4x

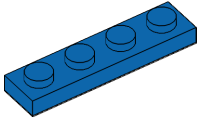
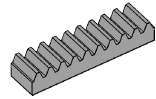


Plate 1x4

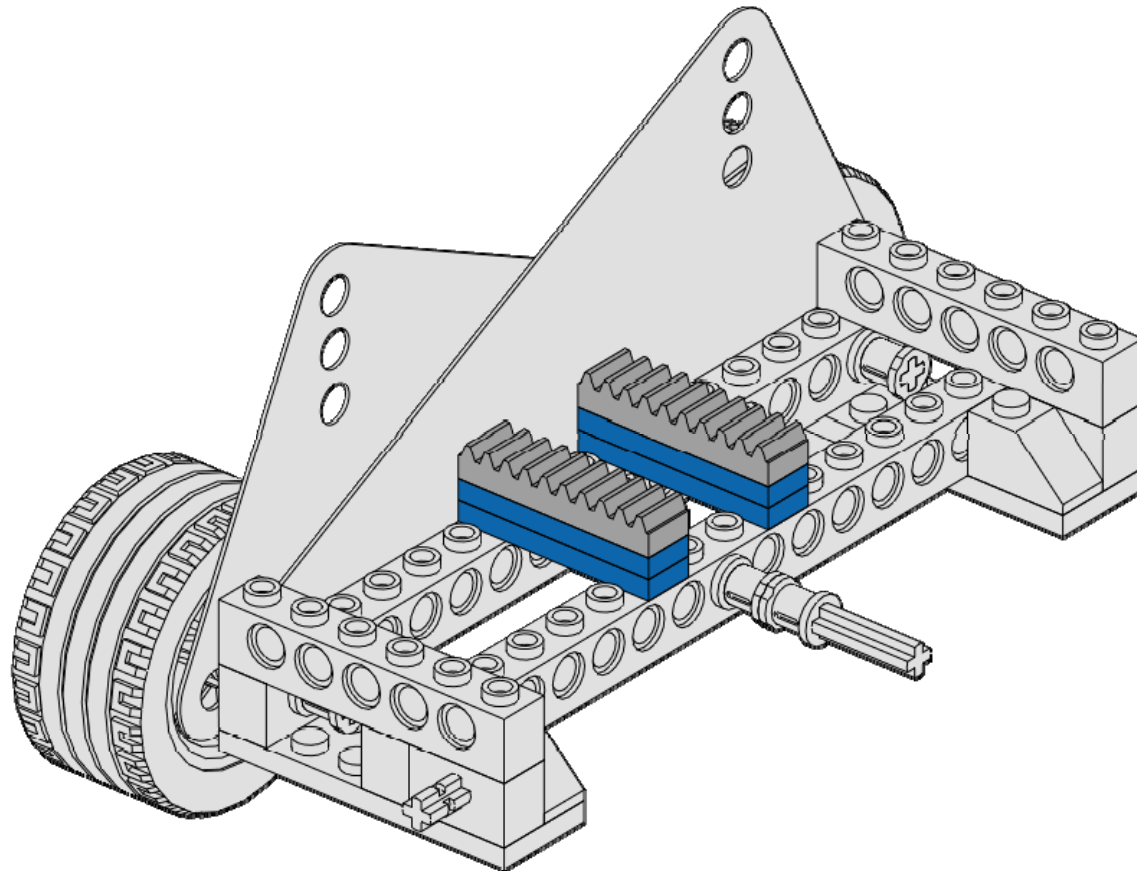
Blue

2x



Gear - Rack 1x4

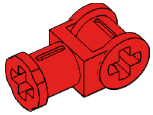
Light Gray



Yangtze Carrier

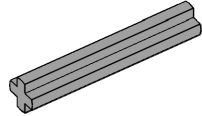
10
of 13

2x

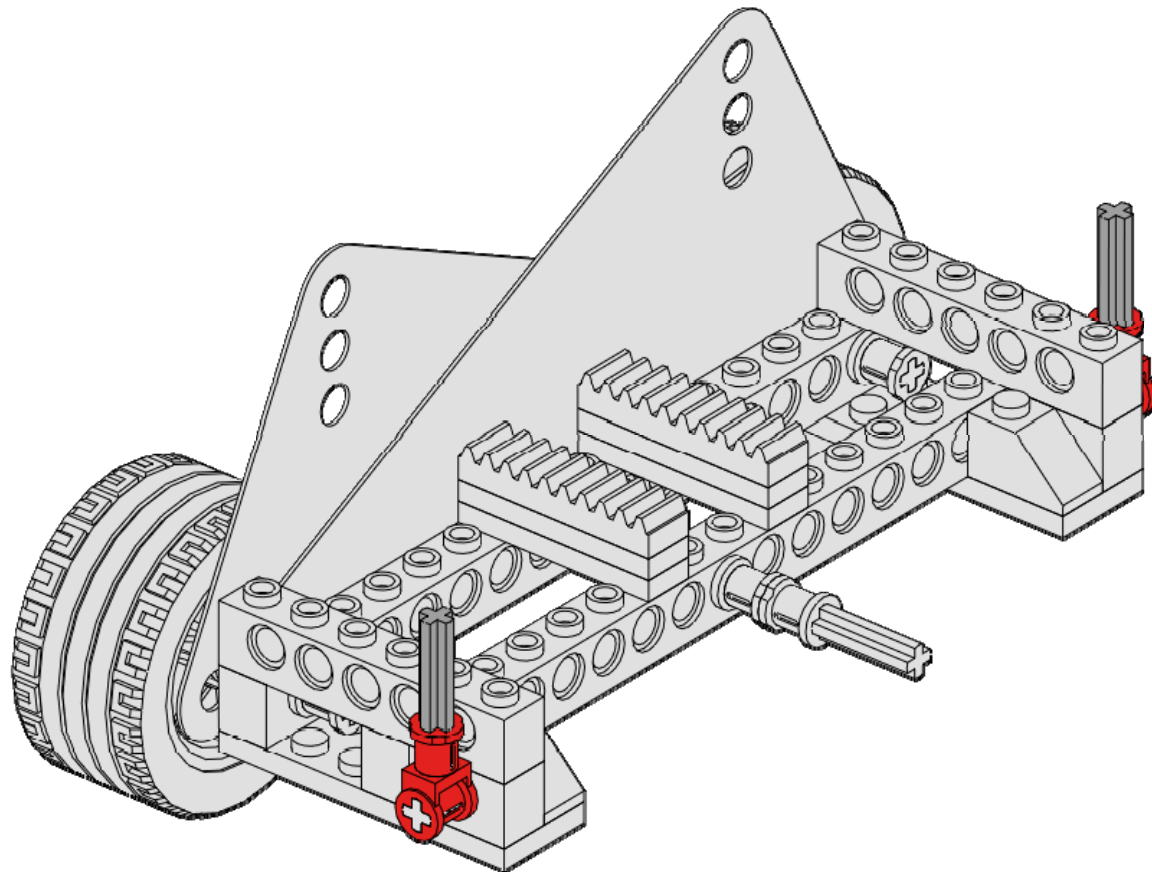


Connector 1x2
90 Degree
Red




2x

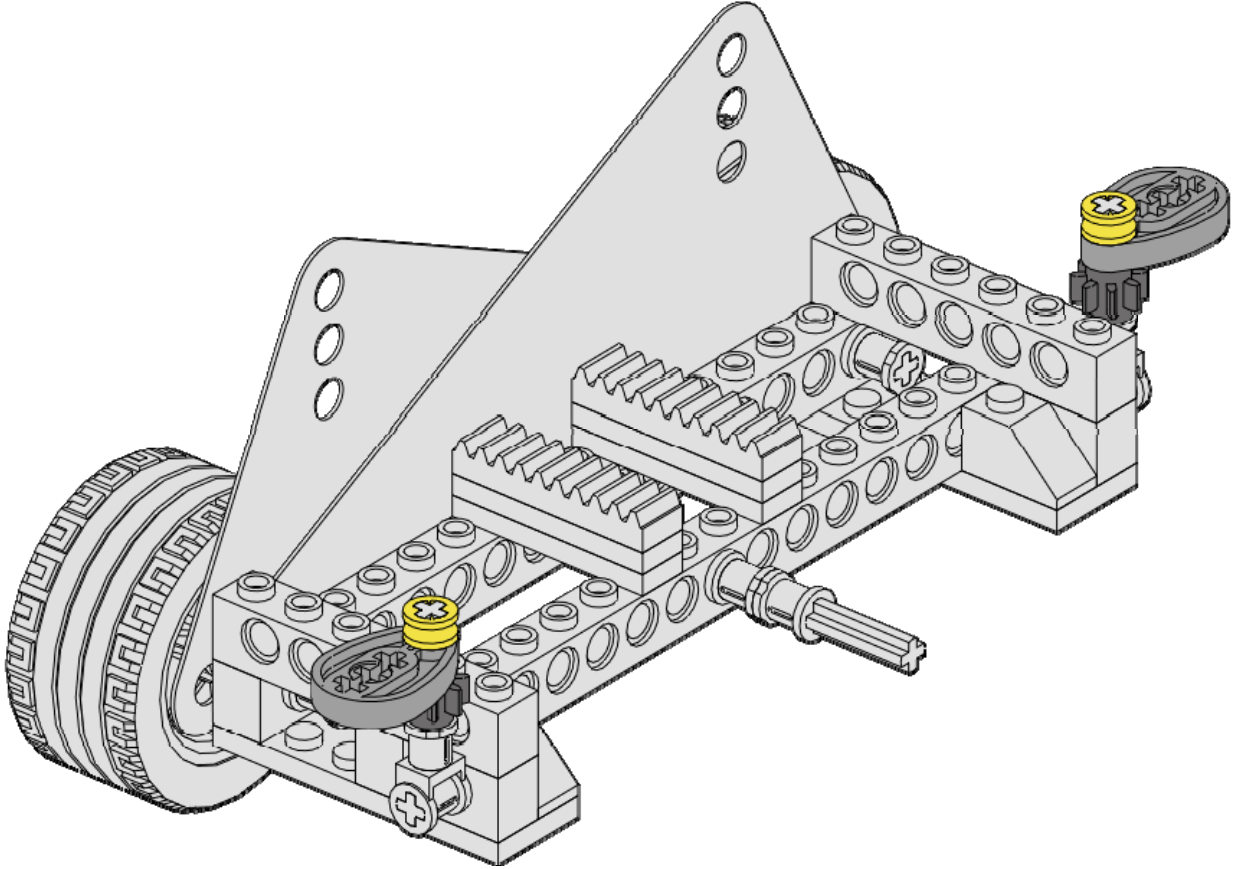


Axle 3
Light Gray



Yangtze Carrier

<p>11 of 13</p>	<p>2x</p>  <p>Gear - 8 Tooth Dark Gray</p>	<p>2x</p>  <p>Cam Dark Gray</p>	<p>2x</p>  <p>Bushing 1/2 Yellow</p>	
----------------------------	---	--	---	--

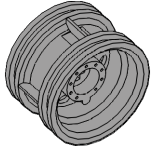


The diagram illustrates the assembly of a gear mechanism. A large gear is mounted on a central axle. A cam is attached to the axle, and a bushing is used to secure the cam. The mechanism is built using a combination of gray and yellow LEGO bricks and pins. A large gear is shown on the left, and a cam is shown on the right. The assembly is supported by a base of gray bricks and pins. A yellow bushing is used to secure the cam to the axle. The diagram shows the assembly from a perspective view, highlighting the gear, cam, and bushing components.

Yangtze Carrier

12
of 13

1x

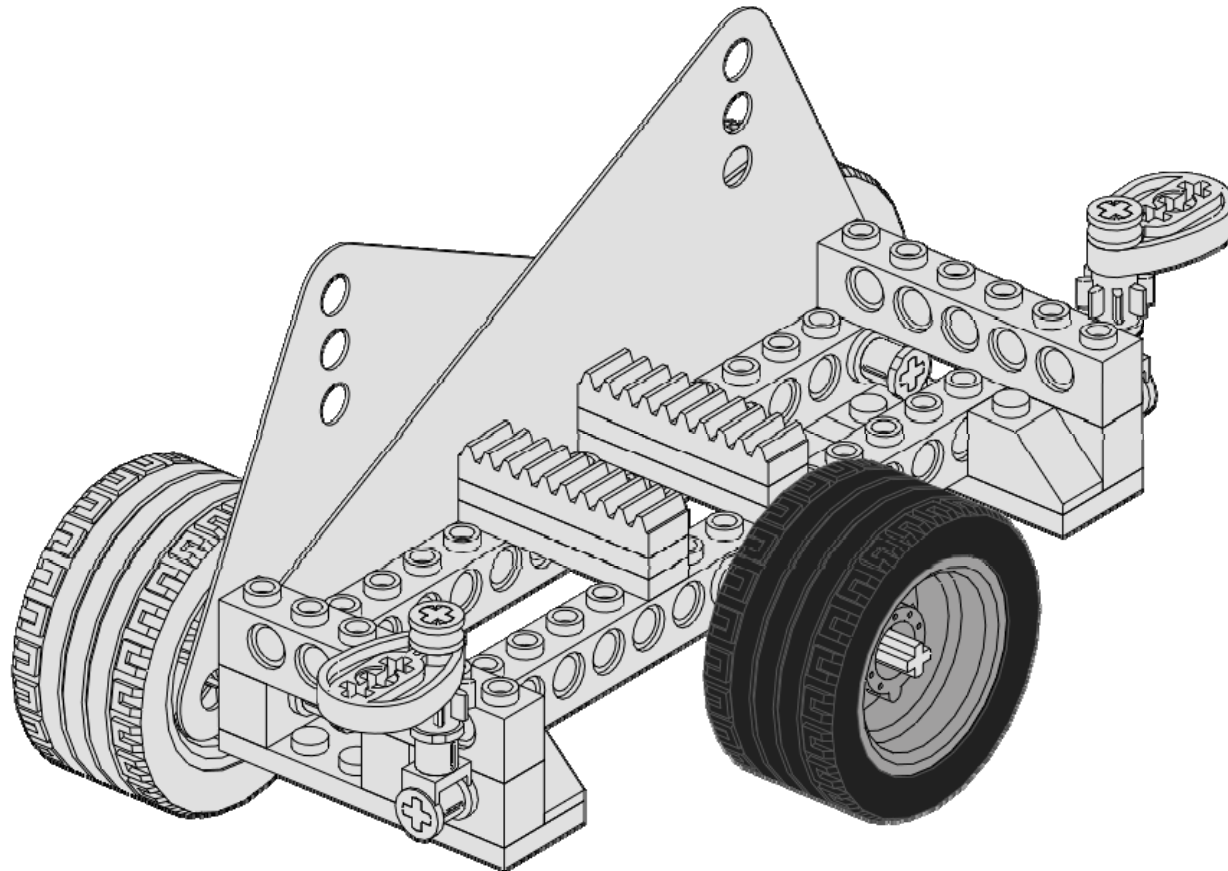


Wheel - Rim
Large
Light Gray

1x



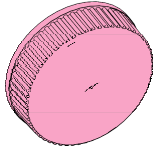
Wheel - Tire
Large
Black



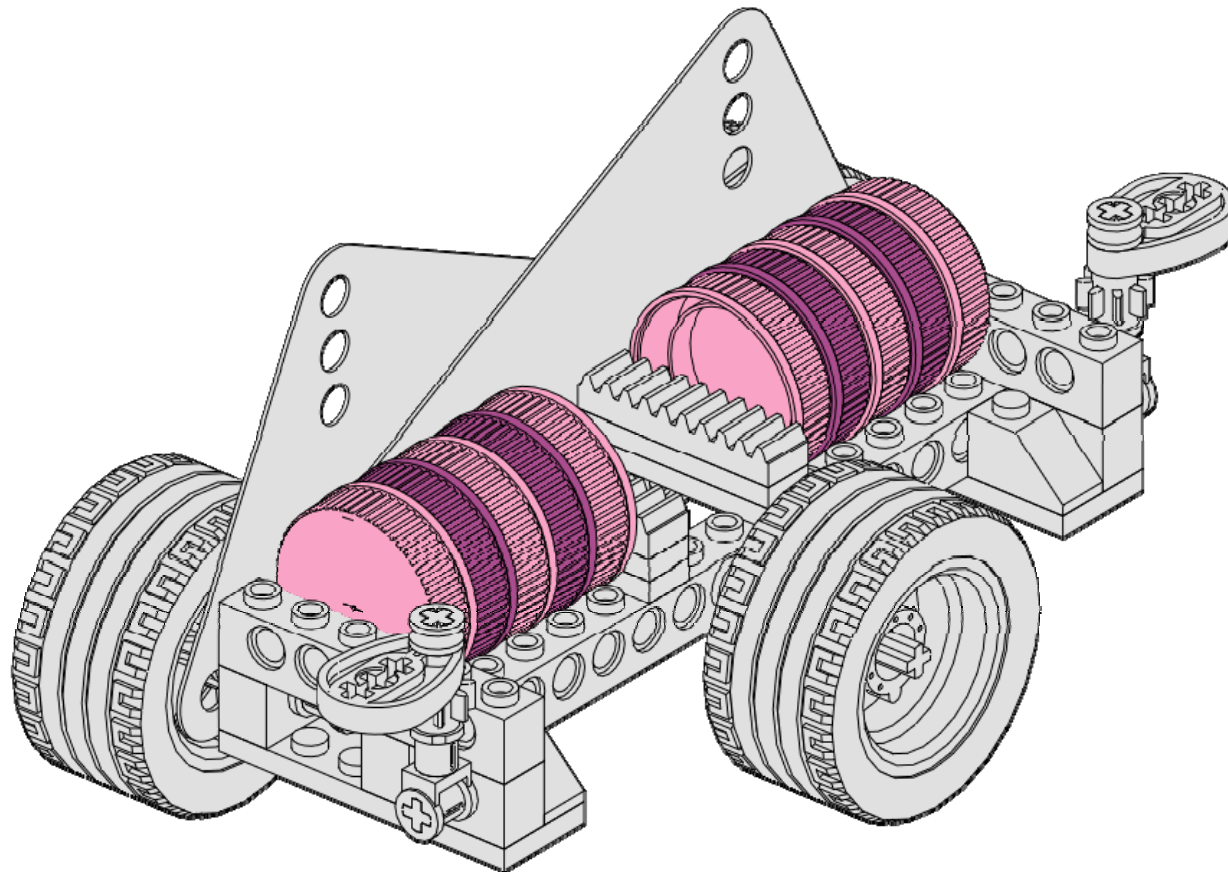
Yangtze Carrier

13
of 13

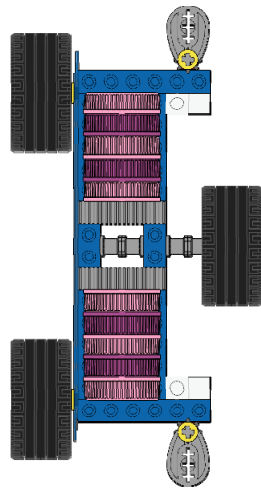
10x



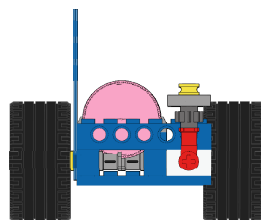
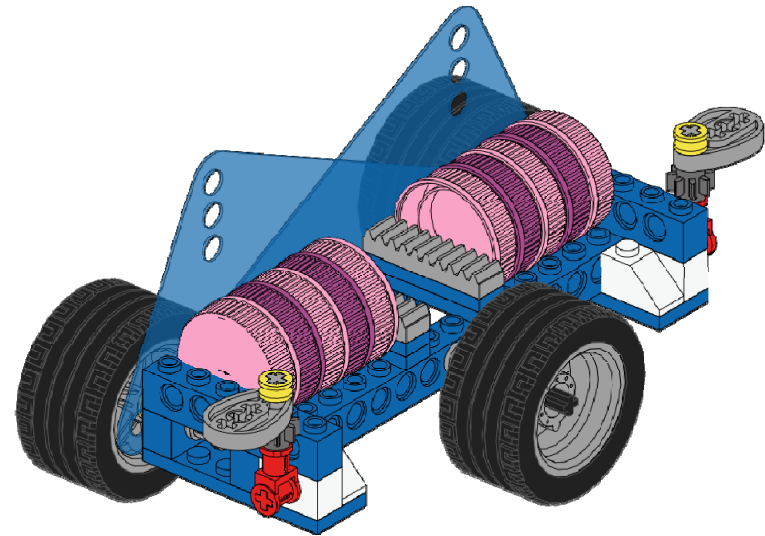
Pump



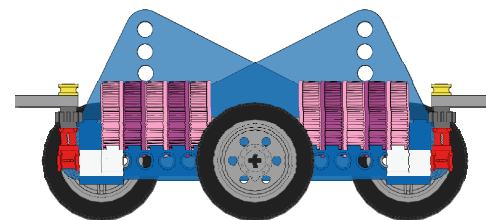
Yangtze Carrier



Top View



Front View



Side View