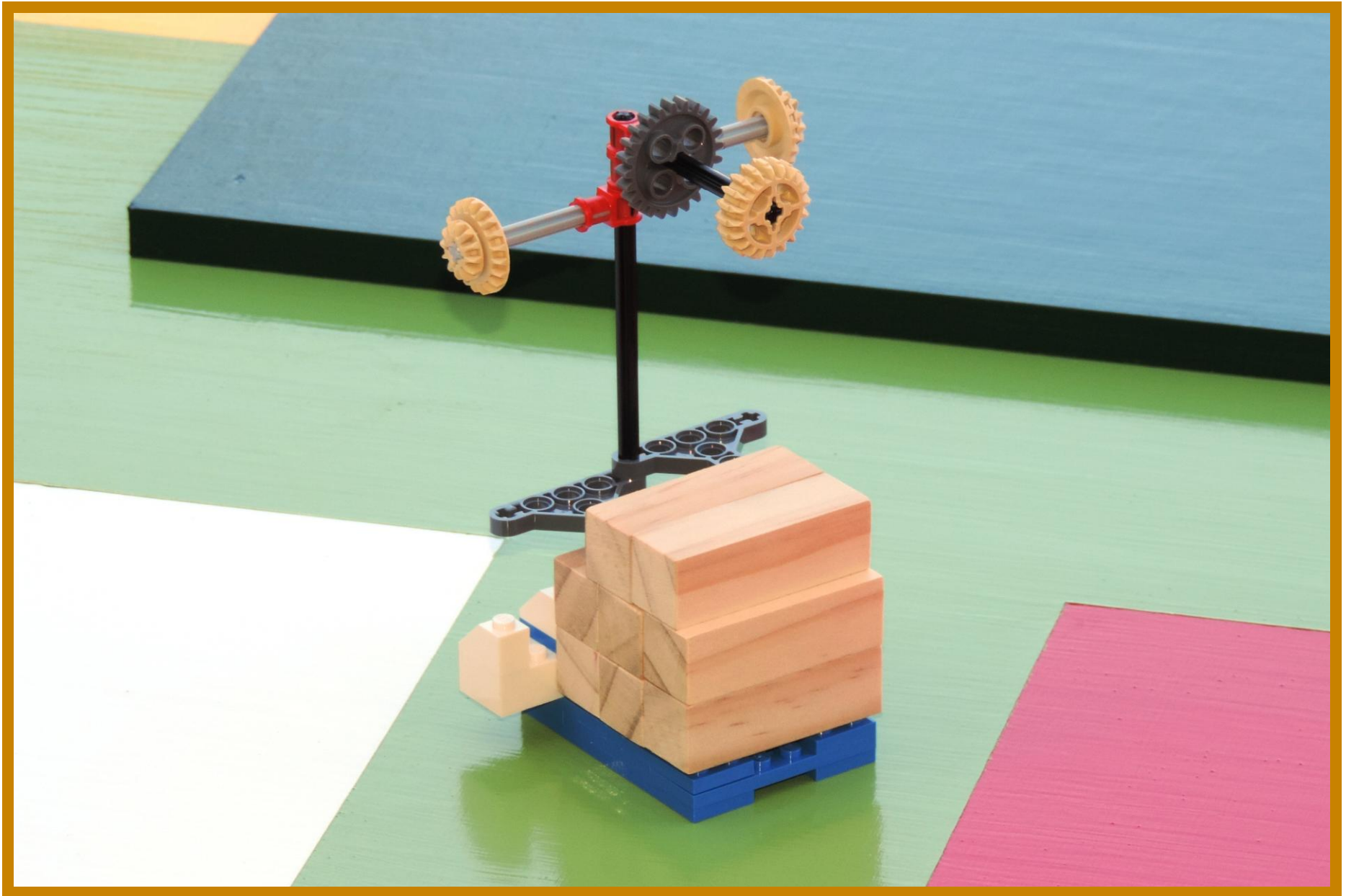
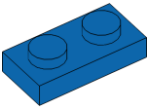
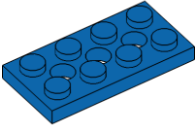
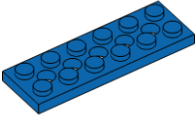
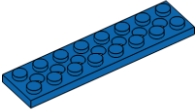
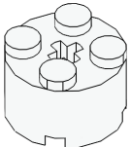
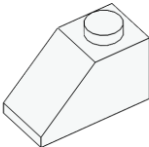
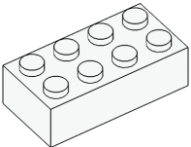

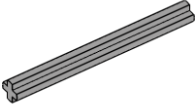


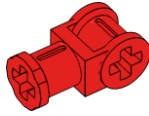
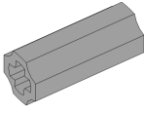
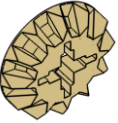
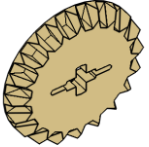

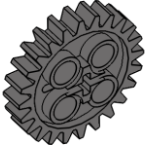
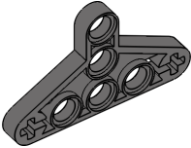
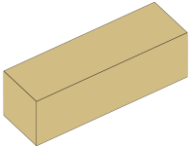


President Carrier



President Carrier

<p>2x</p>  <p>Plate 1x2 Blue</p>	<p>6x</p>  <p>Plate 2x4 Holes Blue</p>	<p>3x</p>  <p>Plate 2x6 Holes Blue</p>	<p>2x</p>  <p>Plate 2x8 Holes Blue</p>		<p>1x</p>  <p>Brick Round 2x2 White</p>	<p>4x</p>  <p>Brick Slope 1x2 White</p>	<p>2x</p>  <p>Brick 2x4 White</p>
<p>1x</p>  <p>Axle 4 Black</p>	<p>2x</p>  <p>Axle 5 Light Gray</p>	<p>1x</p>  <p>Axle 6 Black</p>	<p>1x</p>  <p>Axle 12 Black</p>		<p>3x</p>  <p>Connector 1x2 90 Degree Red</p>	<p>1x</p>  <p>Connector Union Light Gray</p>	
<p>2x</p>  <p>Gear - 12 Tooth Bevel Tan</p>	<p>2x</p>  <p>Gear - 20 Tooth Bevel Tan</p>	<p>1x</p>  <p>Gear - 20 Tooth Double Bevel Tan</p>	<p>1x</p>  <p>Gear - 24 Tooth Dark Gray</p>				
				<p>2x</p>  <p>Brace 3x5 Dark Gray</p>			<p>8x</p>  <p>Bill Wood</p>

President Carrier

1
of 14

2x

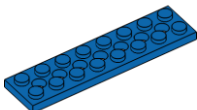
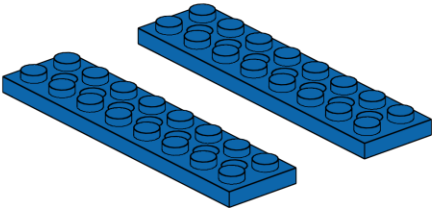


Plate 2x8
Holes
Blue



President Carrier

2
of 14

2x

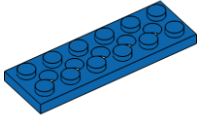
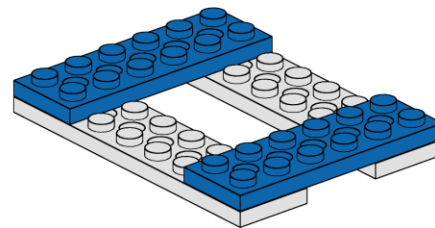


Plate 2x6
Holes
Blue



President Carrier

3
of 14

2x

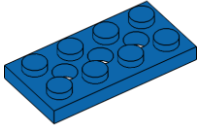


Plate 2x4
Holes
Blue

2x

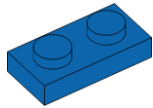
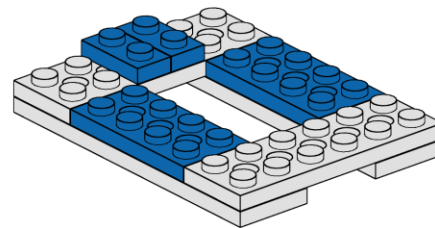


Plate 1x2
Blue



President Carrier

4
of 14

4x

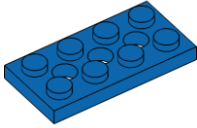
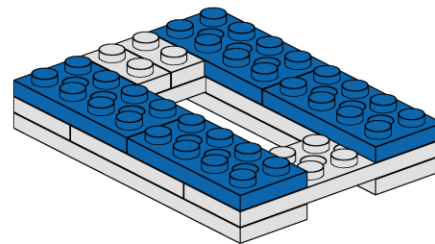


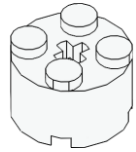
Plate 2x4
Holes
Blue



President Carrier

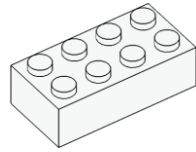
5
of 14

1x

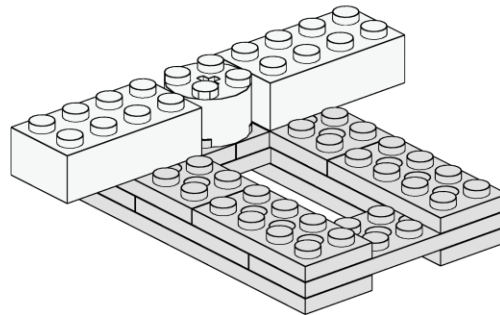


Brick
Round 2x2
White

2x



Brick 2x4
White



President Carrier

6
of 14

1x

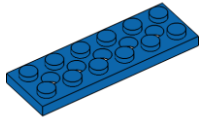
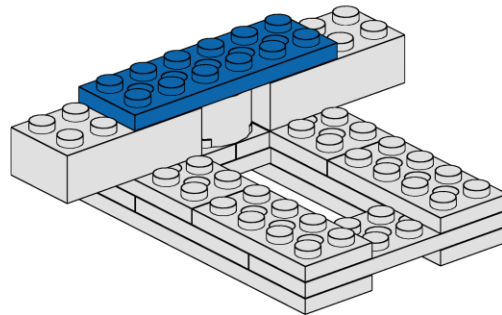


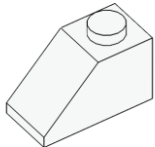
Plate 2x6
Holes
Blue



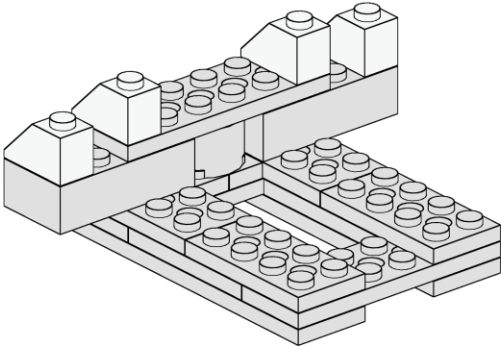
President Carrier

7
of 14


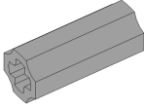
4x

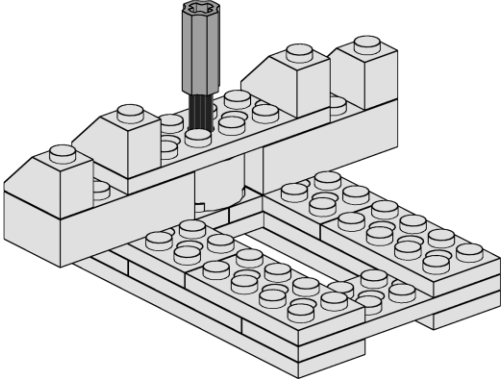


Brick
Slope 1x2
White


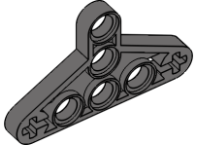


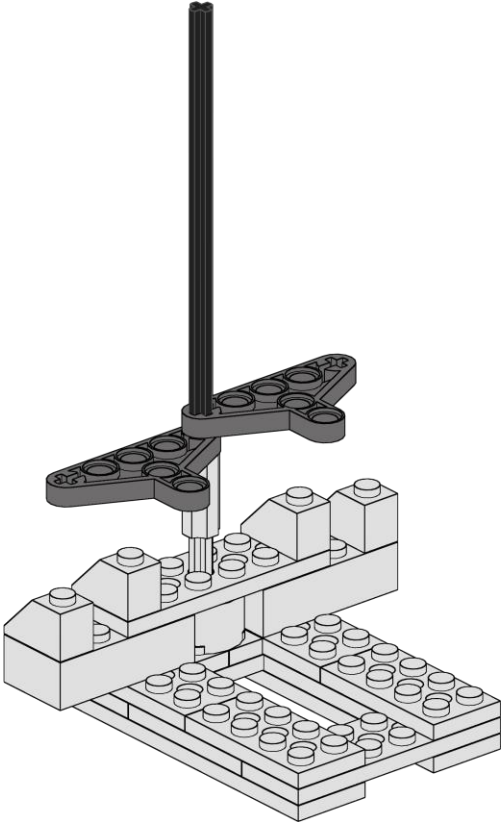
President Carrier

<p>8 of 14</p>	<p>1x</p>  <p>Axle 4 Black</p>	<p>1x</p>  <p>Connector Union Light Gray</p>	
--------------------	---	---	--



President Carrier

<p>9 of 14</p>	<p>1x</p>  <p>Axle 12 Black</p>	<p>2x</p>  <p>Brace 3x5 Dark Gray</p>	
--------------------	--	--	--

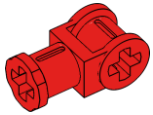


The diagram illustrates the assembly step. A black axle is inserted into the central hole of a dark gray 3x5 brace. The brace is then positioned over a base structure made of light gray Technic bricks. The axle passes through the base structure, and the brace is secured in place by the axle's friction fit.

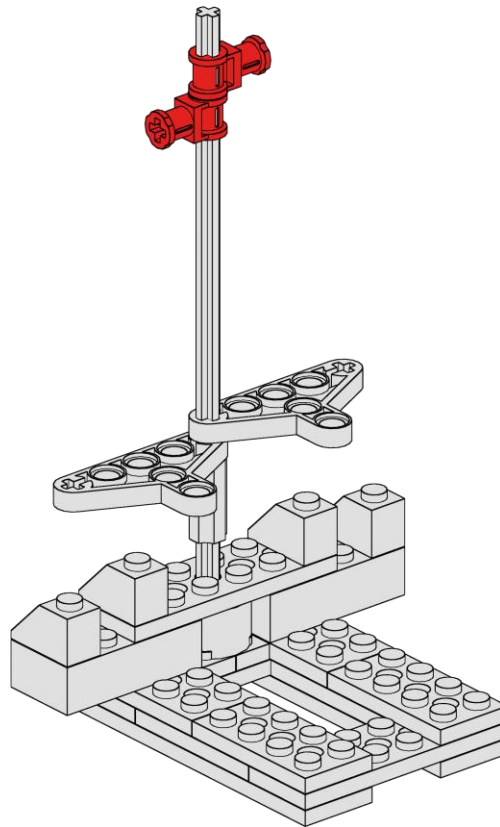
President Carrier

10
of 14

2x



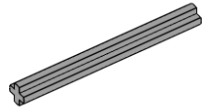
Connector 1x2
90 Degree
Red



President Carrier

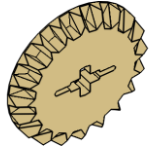
11
of 14

2x



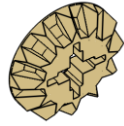
Axle 5
Light Gray

2x

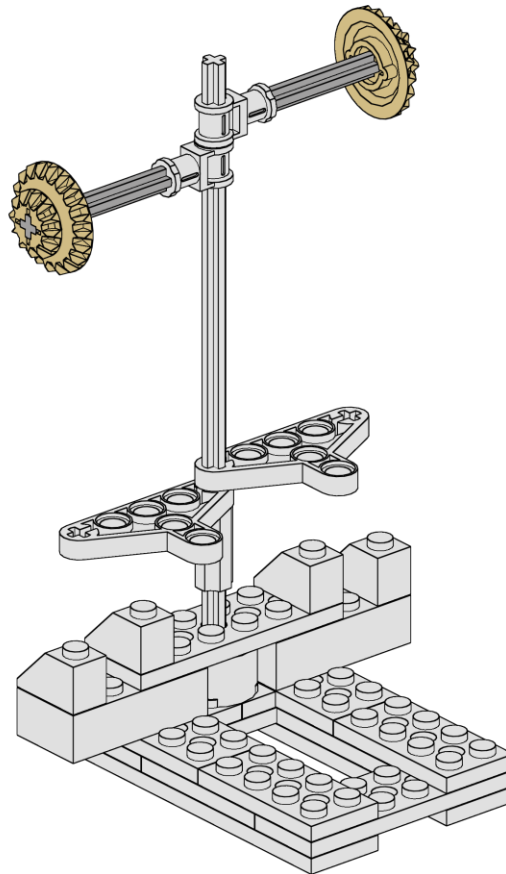


Gear - 20 Tooth
Bevel
Tan

2x



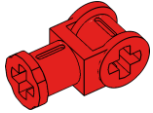
Gear - 12 Tooth
Bevel
Tan



President Carrier

12
of 14

1x

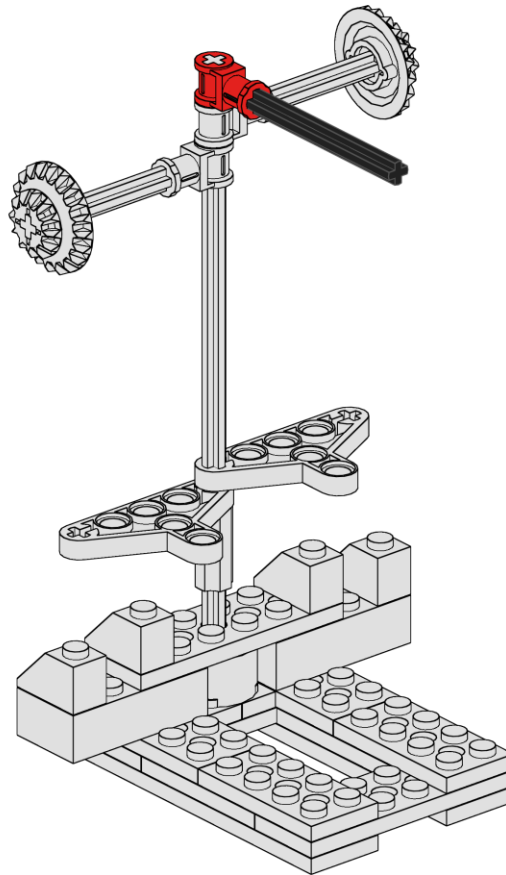


Connector 1x2
90 Degree
Red

1x



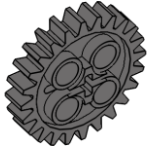
Axle 6
Black



President Carrier

13
of 14

1x



Gear - 24 Tooth

Dark Gray

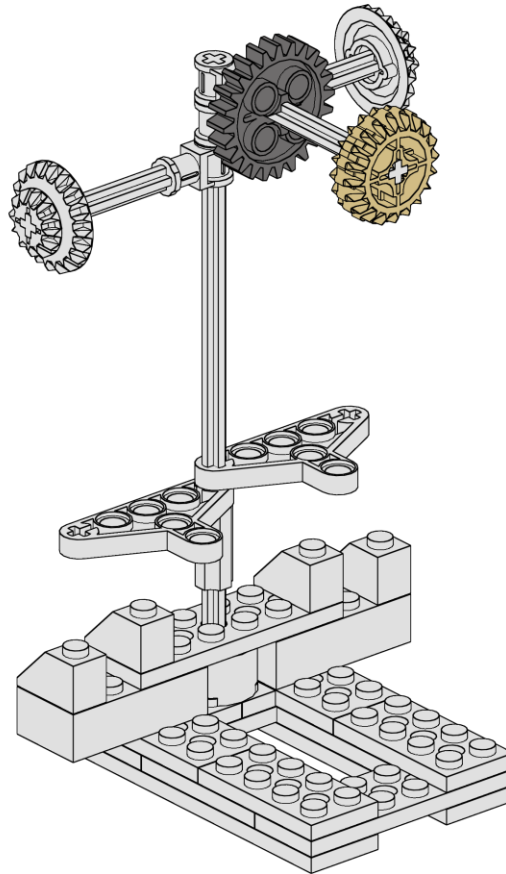
1x



Gear - 20 Tooth

Double Bevel

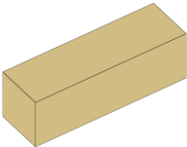
Tan



President Carrier

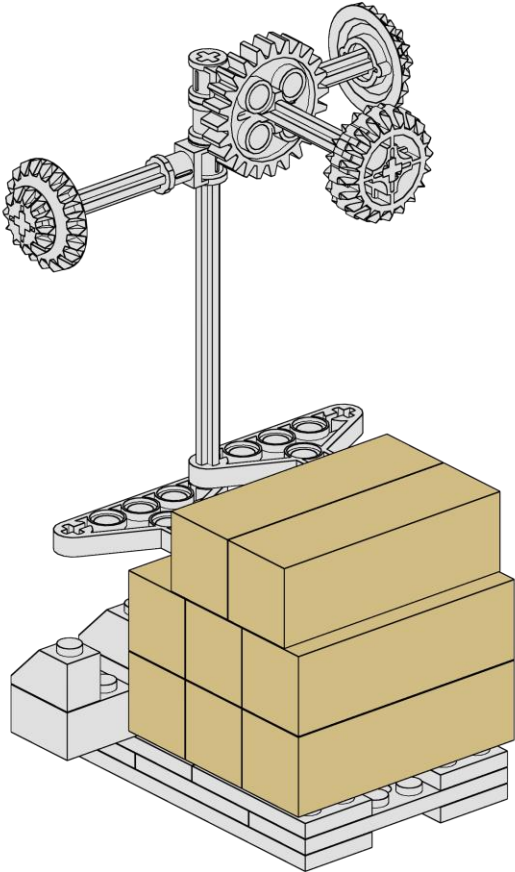
14
of 14

8x

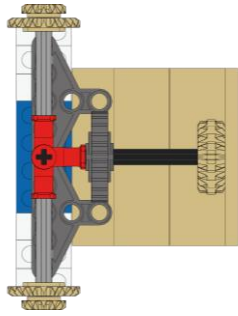


Bill

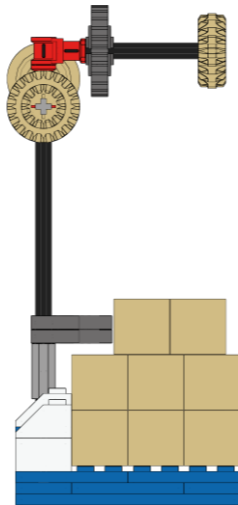
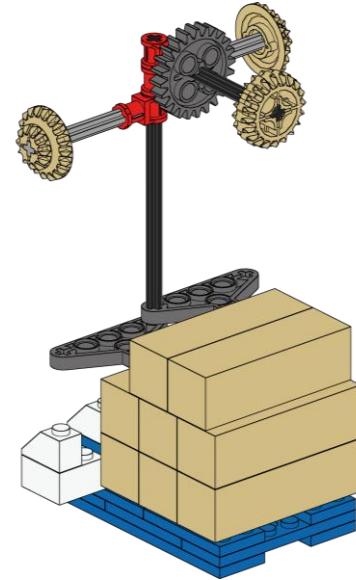
Wood



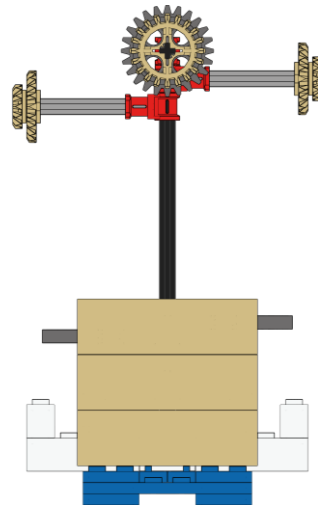
President Carrier



Top View



Side View



Front View